

6

5

4

3

2

1

D

D

C

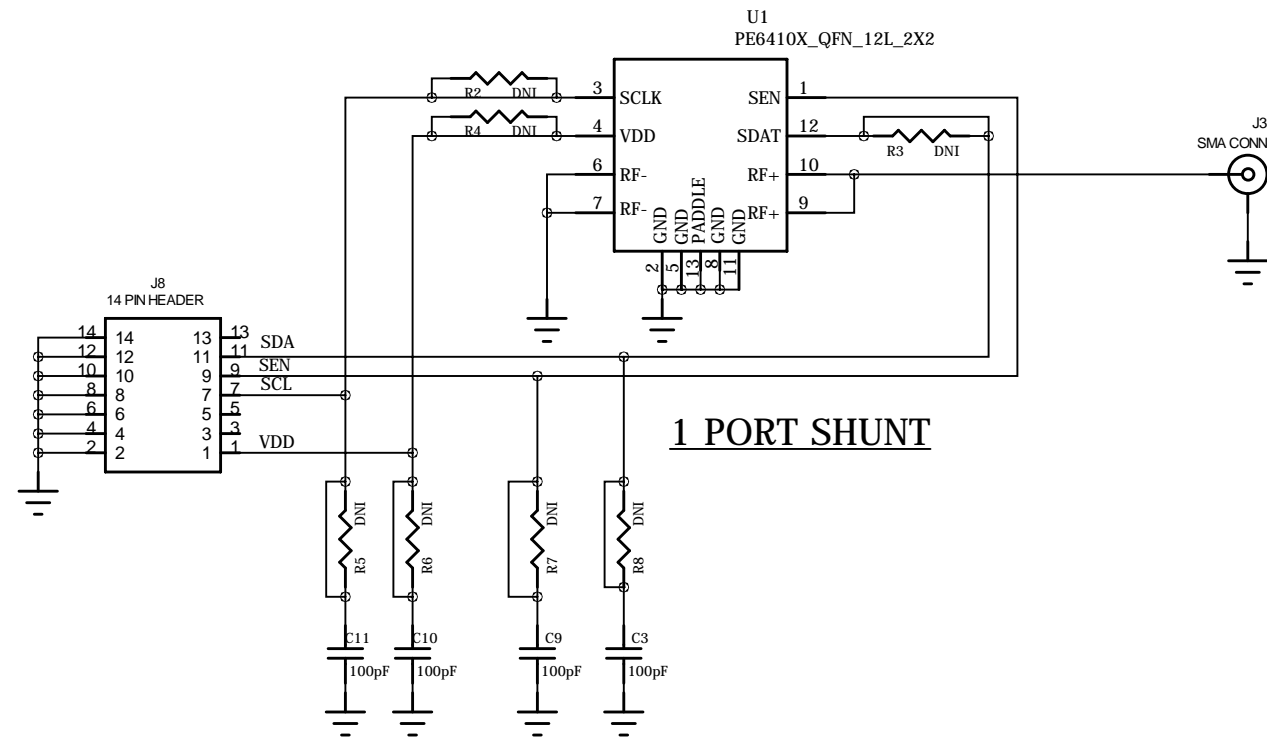
C

B

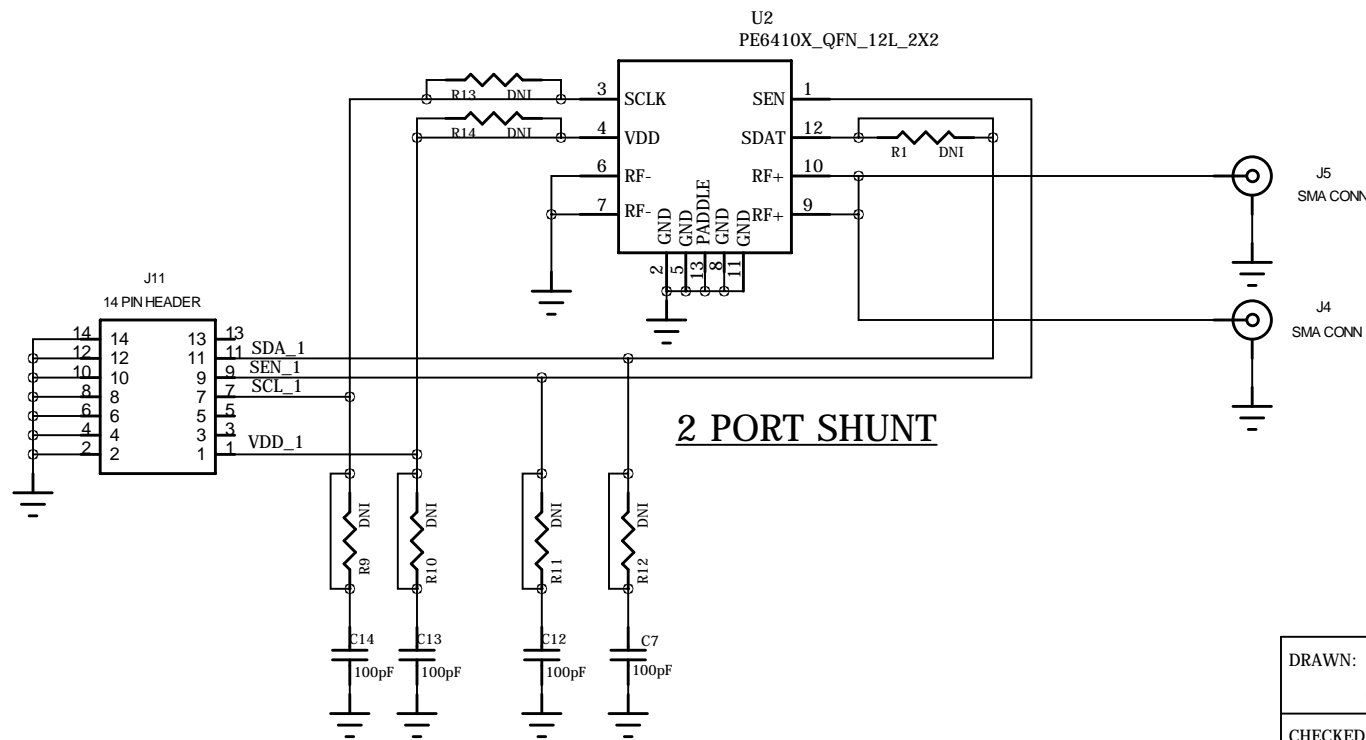
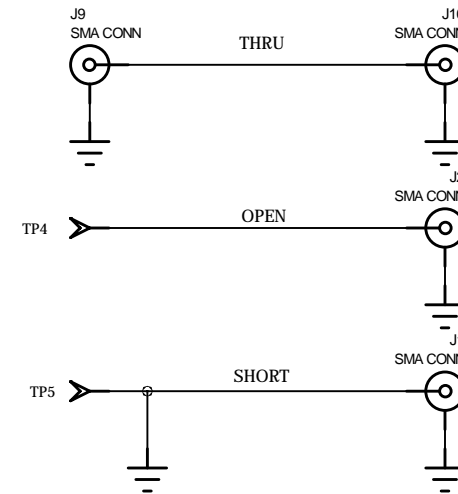
B

A

A



1 PORT SHUNT



2 PORT SHUNT

COMPANY: PEREGRINE SEMICONDUCTOR			
TITLE: SCHEMATIC, PE6410X EVK SHUNT			
CODE:	SIZE: B	DRAWING NO: 102-0833	REV: 01
SCALE:		SHEET: 1 of 1	

NOTES:  
 1. USE 101-0700-01 PCB PART NUMBER.

DRAWN: S. Johnson	DATED: 5-23-12
CHECKED: MARC FACCHINI	DATED: 5-23-12
QUALITY CONTROL:	DATED:
RELEASED:	DATED:

Item	Qty	Reference	Value	PART DESCRIPTION	Manufacturer	Manufacturer Part Number	Distributor	Distributor Part Number	Data Sheet	Notes
1	8	C3 C7 C9-14	100pF	Capacitor, Ceramic, 100pF, 50V, COG, 5%, 0603	TDK	C1608C0G1H101J	Digi-Key	445-1281-1-ND	<a href="http://search.digikey.com/scripts/DkSearch/dksus.dll?Detail&amp;name=445-1281-1-ND">http://search.digikey.com/scripts/DkSearch/dksus.dll?Detail&amp;name=445-1281-1-ND</a>	DO NOT INSTALL
2	2	J8 J11	14 PIN HEADER	CONN, HEADER, 0.100 PIN PITCH, DUAL ROW	Sullins Electronics Corp.	PZC36DABN	Digi-Key	S2021-36-ND	<a href="http://rocky.digikey.com/WebLib/Sullins/Web%20Data/PZC36DABN.pdf">http://rocky.digikey.com/WebLib/Sullins/Web%20Data/PZC36DABN.pdf</a>	Cut to 14 Pin Header
3	2	U1-2	DFN 10L 2X2		PEREGRINE SEMICONDUCTOR	PE64102 DTC				DFN 10L 2X2
4	14	R1-14	DNI	RESISTOR, DNI, 0402	DNI	DNI	DNI	DNI		DNI
5	7	J1-5 J9-10	SMA CONN	CONN, SMA, 50 OHM, END LAUNCH, JACK RECEPTACLE-ROUND CONTACT	Johnson Components Inc.	142-0701-801	Digi-Key	J502-ND	<a href="http://rocky.digikey.com/WebLib/Johnson%20Components/Web%20Data/142-0701-801,%20142-0701-806.pdf">http://rocky.digikey.com/WebLib/Johnson%20Components/Web%20Data/142-0701-801,%20142-0701-806.pdf</a>	
6	2	TP4-5	Test Point	TEST POINT, NO PART						
7	1	PCB		PCB, PE6410X DTC SHUNT		101-0700-01				